



RAINY

Vivid colours for this soft, light baseball cap in breathable nylon, perfectly waterproof thanks to protective band applied on the seams. Mesh lining inside.

Technical accessories

Composition	Main Fabric: 100% Nylon - Lining: 100% Polyester - 100 gsm
Panels	5 Panels
Sweatband	Sweatband self fabric with 4 stitching (closed on back)
Eyelets	No eyelets
Buckram	No buckram- Unstructured front panels
Closure	Sunday buckle
Lining	Full lining
Size	One size fits all
Packing	24 x 144
Custom code	6505.00.30
Made in	China

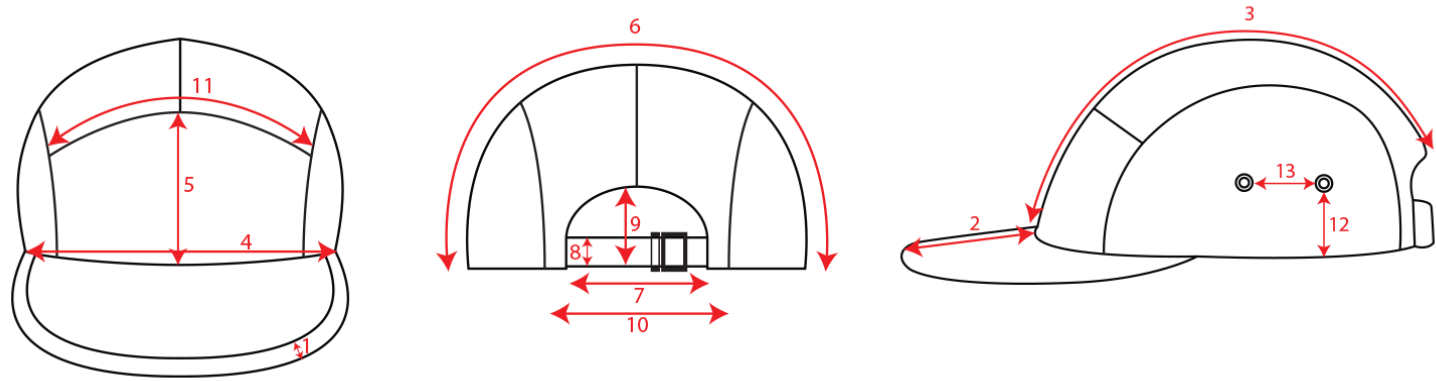
Where to customize

Centimeters

	Front	Back	Closure	Right	Left
Print	10 x 6	-	-	7 x 5	7 x 5
Embroidery	-	-	-	-	-
Heat transfer	8 x 6	-	-	6 x 4	6 x 4

Technical Size (cm)

- 1** 0.25
- 2** 7.0
- 3** 26.0
- 4** 13.5
- 5** 7.0
- 6** 31.0
- 7** 10.0
- 8** 1.8
- 9** 5.0
- 10** 12.5



Color variants (TPX / Pantone)

WHITE



HAT: 19-4006 / BLACK-6-C

NAVY



HAT: 19-4023 / 289-C

BLACK



HAT: 18-0503 / 7540-C