



RAPPER SUEDE

The mock **suede** fabric gives the popular trucker shape a touch of stylish glam.

SUEDE FABRIC: Suede dates back to the time of the American Indians who

Technical accessories

Composition	Main Fabric: 100% Polyester - Side&back: 100% Polyester - 130 gsm
Panels	5 Panels
Sweatband	Sweatband in Cotton Twill (closed on back)
Eyelets	No eyelets
Buckram	Buckram oxford
Closure	Pvc Closure
Size	One size fits all
Packing	-
Custom code	6505.00.30
Made in	China

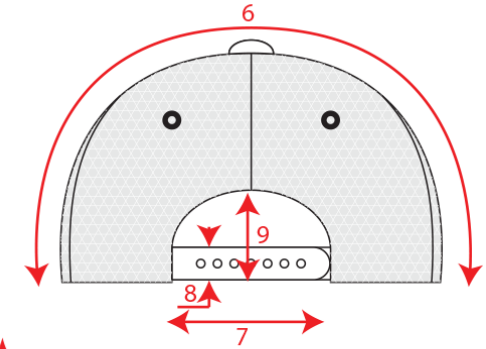
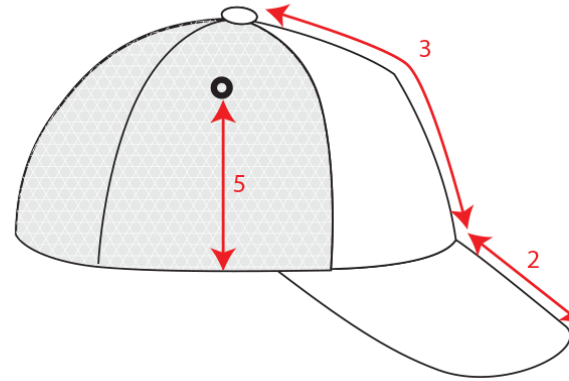
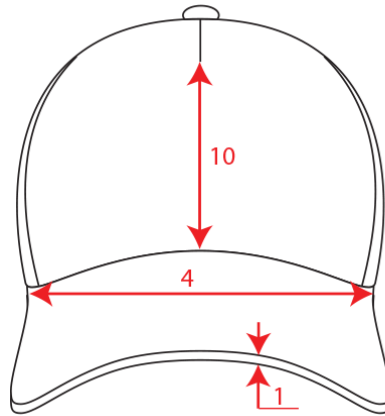
Where to customize

Centimeters

	Front	Back	Closure	Right	Left
Print	10 x 6	-	-	-	-
Embroidery	10 x 6	8 x 3,5	-	10 x 6	10 x 6
Heat transfer	-	-	-	-	-

Technical Size (cm)

- 1 0.3
- 2 7.0
- 3 17.0
- 4 18.0
- 6 33.0
- 7 6.5
- 8 2.0
- 9 6.0
- 10 9.0



Color variants (TPX / Pantone)

BLACK



BILL: 19-4006 / BLACK-6-C
UNDERBILL: 19-4006 / BLACK-6-C
FRONT PANEL: 19-4006 / BLACK-6-C
SIDE: 19-4005 / BLACK-C

GREY



BILL: 16-3801 / 2331-C
UNDERBILL: 16-3801 / 2331-C
FRONT PANEL: 16-3801 / 2331-C
SIDE: 16-3802 / 408-C

NAVY



BILL: 19-4024 / 533-C
UNDERBILL: 19-4024 / 533-C
FRONT PANEL: 19-4024 / 533-C
SIDE: 19-3920 / 533-C

BEIGE



BILL: 14-1107 / 7534-C
UNDERBILL: 14-1107 / 7534-C
FRONT PANEL: 14-1107 / 7534-C
SIDE: 13-0401 / 4755-C

BURGUNDY



BILL: 19-1522 / 504-C
UNDERBILL: 19-1522 / 504-C
FRONT PANEL: 19-1522 / 504-C
SIDE: 19-2430 / 7643-C