



## RAPPER CAMOU

The satin polyester combined with the camouflage fabric makes the trucker cap RAPPER CAMOU really perfect for the music world and fashion.



### Technical accessories

<b>Composition</b>	Main Fabric: 92% Polyester 8% Viscose - Side&back: 100% Polyester - Underbill: 100% Chino Cotton twill
<b>Panels</b>	5 Panels
<b>Sweatband</b>	Sweatband in Cotton Twill (closed on back)
<b>Eyelets</b>	2 Sewn eyelets on crown (from 02/22 cancelled the eyelets on mesh)
<b>Buckram</b>	Buckram oxford
<b>Closure</b>	Pvc Closure
<b>Size</b>	One size fits all
<b>Packing</b>	24 x 144
<b>Custom code</b>	6505.00.30
<b>Made in</b>	China

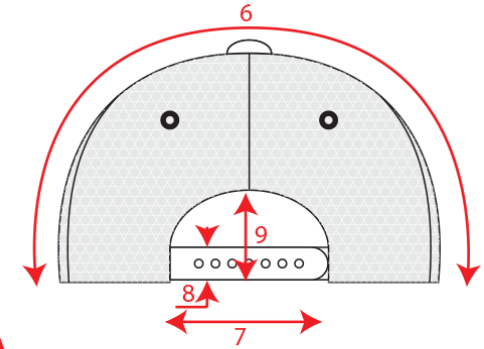
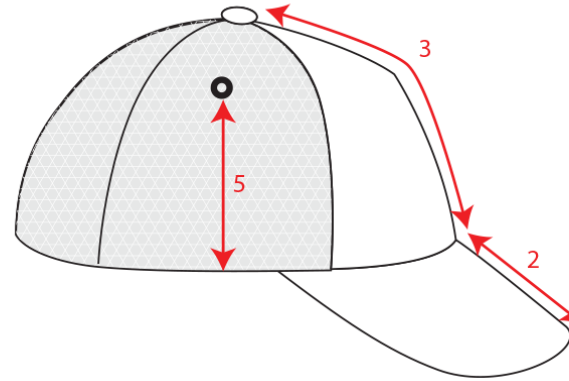
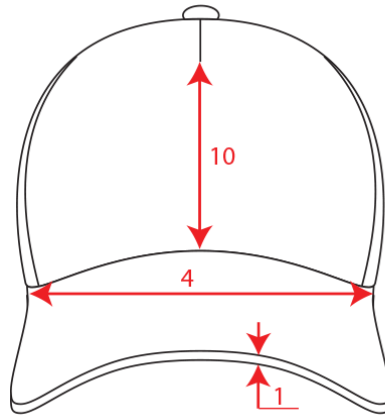
### Where to customize

Centimeters

	Front	Back	Closure	Right	Left
Print	-	-	-	-	-
Embroidery	12 x 6	8 x 3,5	-	10 x 6	10 x 6
Heat transfer	-	-	-	-	-

**Technical Size (cm)**

- 1 0.3
- 2 7.0
- 3 16.5
- 4 18.0
- 5 9.5
- 6 34.0
- 7 6.5
- 8 2.0
- 9 6.3
- 10 9.0



**Color variants ( TPX / Pantone )**

**BURGUNDY**



**UNDERBILL:** 19-4005 / BLACK-C  
**SIDE:** 19-4005 / BLACK-C

**LIGHT-GREY**



**UNDERBILL:** 19-4005 / BLACK-C  
**SIDE:** 19-4005 / BLACK-C

**DARK-GREY**



**UNDERBILL:** 19-4005 / BLACK-C  
**SIDE:** 19-4005 / BLACK-C

**NAVY**



**UNDERBILL:** 19-4005 / BLACK-C  
**SIDE:** 19-4005 / BLACK-C

**OLIVE**



**UNDERBILL:** 19-4005 / BLACK-C  
**SIDE:** 19-4005 / BLACK-C

**ROYAL**



**UNDERBILL:** 19-4005 / BLACK-C  
**SIDE:** 19-4005 / BLACK-C