



## RAPPER MELANGE

The street style meets **mélange fabric** in warm shades to create a versatile refined cap.

### MELANGE FABRIC

### Technical accessories



### Where to customize

Centimeters

	Front	Back	Closure	Right	Left
Print	10 x 6	-	-	-	-
Embroidery	12 x 6	8 x 3,5	-	10 x 6	10 x 6
Heat transfer	8 x 6	-	-	-	-

#### Composition

Main Fabric:73% Cotton 27% Polyester - Side&back: 100% Polyester - Underbill:100% Chino Cotton twill - 219 gsm

#### Panels

5 Panels

#### Sweatband

Sweatband self fabric with 4 stitching (closed on back)

#### Eyelets

No eyelets

#### Buckram

Buckram oxford

#### Closure

Pvc Closure

#### Size

One size fits all

#### Packing

24 x 144

#### Custom code

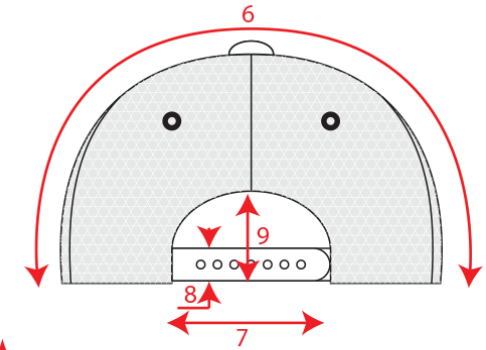
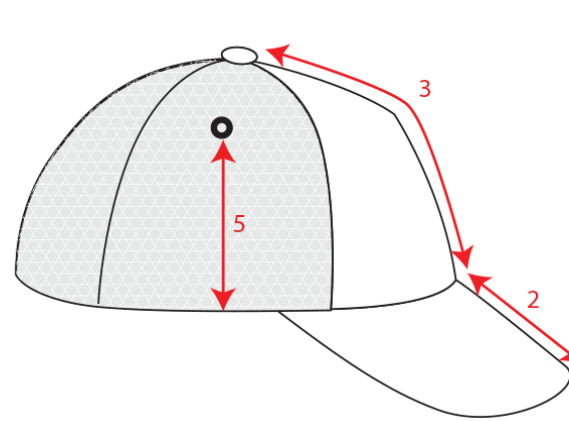
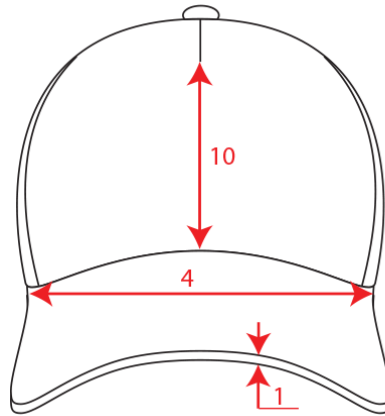
6505.00.30

#### Made in

China

Technical Size (cm)

- 1 0.3
- 2 7.2
- 3 17.0
- 4 18.0
- 6 33.0
- 7 6.5
- 8 2.0
- 9 6.0
- 10 9.0



Color variants ( TPX / Pantone )

DARK-GREY



**BILL:** / 426-C  
**UNDERBILL:** 19-4005 / BLACK-C  
**SWEATBAND:** 19-4005 / BLACK-C  
**TAPING:** / WHITE  
**FRONT PANEL:** / 426-C  
**SIDE:** 19-4005 / BLACK-C

NAVY



**BILL:** / 2380-C  
**UNDERBILL:** 19-4005 / BLACK-C  
**SWEATBAND:** 19-4005 / BLACK-C  
**TAPING:** / WHITE  
**FRONT PANEL:** / 2380-C  
**SIDE:** 19-4005 / BLACK-C

LIGHT-GREY



**BILL:** / 5305-C  
**UNDERBILL:** 19-4005 / BLACK-C  
**SWEATBAND:** 19-4005 / BLACK-C  
**TAPING:** / WHITE  
**FRONT PANEL:** / 5305-C  
**SIDE:** 19-4005 / BLACK-C

KHAKI



**BILL:** / 4245-C  
**UNDERBILL:** 19-4005 / BLACK-C  
**SWEATBAND:** 19-4005 / BLACK-C  
**TAPING:** / WHITE  
**FRONT PANEL:** / 4245-C  
**SIDE:** 19-4005 / BLACK-C

**RED**



**BILL:** / 201-C

**UNDERBILL:** 19-4005 / BLACK-C

**SWEATBAND:** 19-4005 / BLACK-C

**TAPING:** / WHITE

**FRONT PANEL:** / 201-C

**SIDE:** 19-4005 / BLACK-C

**BROWN**



**BILL:** / 7533-C

**UNDERBILL:** 19-4005 / BLACK-C

**SWEATBAND:** 19-4005 / BLACK-C

**TAPING:** / WHITE

**FRONT PANEL:** / 7533-C

**SIDE:** 19-4005 / BLACK-C