



## RAPPER JERSEY

*\* The composition is subordinate to the product lot number. Please refer to the composition shown on the composition label.*

The trucker cap RAPPER JERSEY with its 100% jersey cotton fabric is perfect to

### Technical accessories

<b>Composition</b>	Main Fabric: 87% Cotton 13% Polyester - Side&back: 100% Polyester - 220 gsm
<b>Panels</b>	5 Panels
<b>Sweatband</b>	Sweatband self fabric with 4 stitching (closed on back)
<b>Eyelets</b>	No eyelets
<b>Buckram</b>	Buckram oxford
<b>Closure</b>	Pvc Closure
<b>Size</b>	One size fits all
<b>Packing</b>	24 x 144
<b>Custom code</b>	6505.00.30
<b>Made in</b>	China

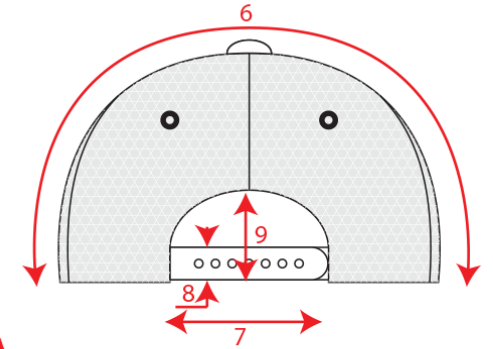
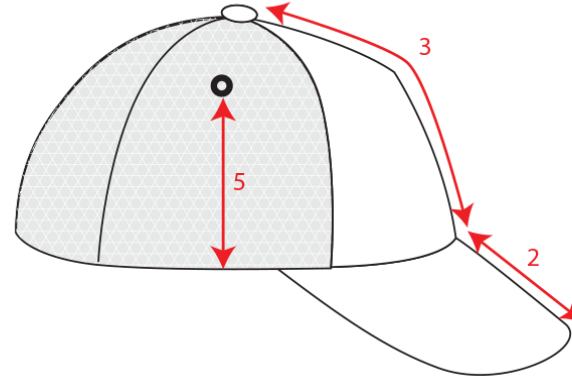
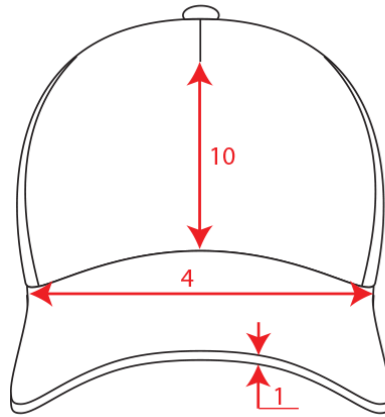
### Where to customize

Centimeters

	Front	Back	Closure	Right	Left
Print	-	-	-	-	-
Embroidery	12 x 6	8 x 3,5	-	10 x 6	10 x 6
Heat transfer	-	-	-	-	-

Technical Size (cm)

- 1 0.3
- 2 7.2
- 3 18.0
- 4 18.3
- 6 34.0
- 7 6.5
- 8 2.0
- 9 6.0
- 10 9.5



Color variants ( TPX / Pantone )

BURGUNDY



FRONT PANEL: 19-1940 / 7641-C  
SIDE: 19-1725 / 7421-C

LIGHT-GREY



FRONT PANEL: 14-4203 / COOL-GRAY-5-C  
SIDE: 16-3802 / 408-C

DARK-GREY



FRONT PANEL: 18-0601 / 425-C  
SIDE: 18-3907 / 425-C

BLACK



FRONT PANEL: 19-4006 / 426-C  
SIDE: 19-4005 / BLACK-C

NAVY



FRONT PANEL: 19-3810 / 2380-C  
SIDE: 19-3920 / 533-C