



## RAPPER DESTROYED

A soft feeling for this completely washed cap with a used and destroyed visor border. Chino cotton front panel coupled with foam. Closure Snapback.



### Technical accessories

<b>Composition</b>	Main Fabric: 100% Chino Cotton twill - Side&back: 100% Polyester - 280 gsm
<b>Panels</b>	5 Panels
<b>Visor</b>	Curved/ 4 rows/ Destroyed visor
<b>Sweatband</b>	Sweatband in Cotton Twill (closed on back)
<b>Eyelets</b>	No eyelets
<b>Buckram</b>	No buckram- Unstructured front panels
<b>Closure</b>	Pvc Closure
<b>Washing</b>	Garment Washing
<b>Size</b>	One size fits all
<b>Packing</b>	24 x 144
<b>Custom code</b>	6505.00.30
<b>Made in</b>	China

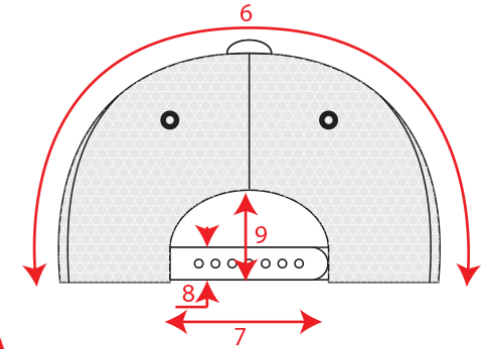
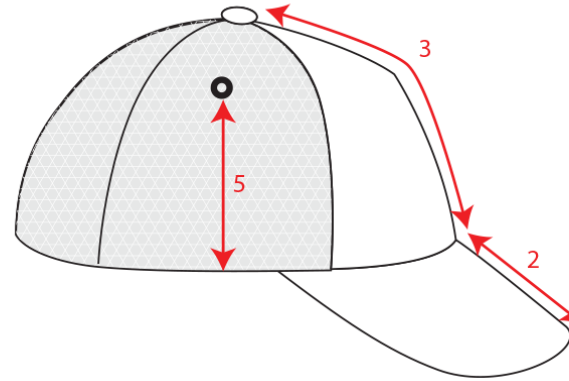
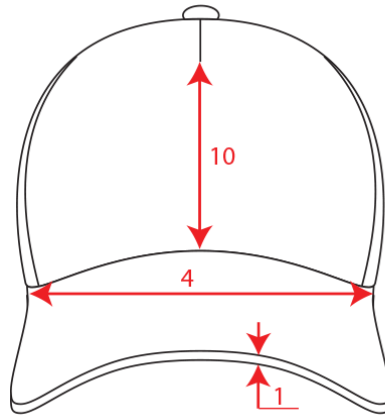
### Where to customize

Centimeters

	Front	Back	Closure	Right	Left
Print	-	-	-	-	-
Embroidery	12 x 6	8 x 3,5	-	10 x 6	10 x 6
Heat transfer	-	-	-	-	-

**Technical Size (cm)**

- 1** 0.3
- 2** 7.0
- 3** 16.4
- 4** 18.4
- 6** 33.0
- 7** 8.5
- 8** 2.0
- 9** 5.5
- 10** 9.0



**Color variants ( TPX / Pantone )**

**WHITE-WHITE**



**BILL:** 11-0601 / WHITE  
**UNDERBILL:** 11-0601 / WHITE  
**FRONT PANEL:** 11-0601 / WHITE  
**SIDE:** 11-0601 / WHITE

**BLACK-BLACK**



**BILL:** 19-4005 / BLACK-C  
**UNDERBILL:** 19-4005 / BLACK-C  
**FRONT PANEL:** 19-4005 / BLACK-C  
**SIDE:** 19-4005 / BLACK-C