



RAPPER

High Crown "TRUCKER CAP" with polyester foam front panel as peack side and back panels in mesh material. Snapback closure.

Technical accessories

Composition	Main Fabric: 100% Polyester - Side&back: 100% Polyester - 80 gsm
Panels	5 Panels
Sweatband	Sweatband TC sheeting with 4 stitching (closed on back)
Eyelets	No eyelets
Buckram	No buckram- Unstructured front panels
Closure	Pvc Closure
Size	One size fits all
Packing	-
Custom code	6505.00.30
Made in	China

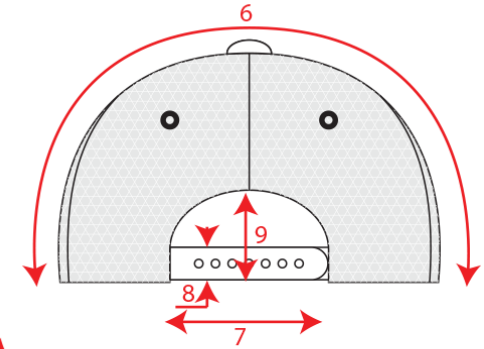
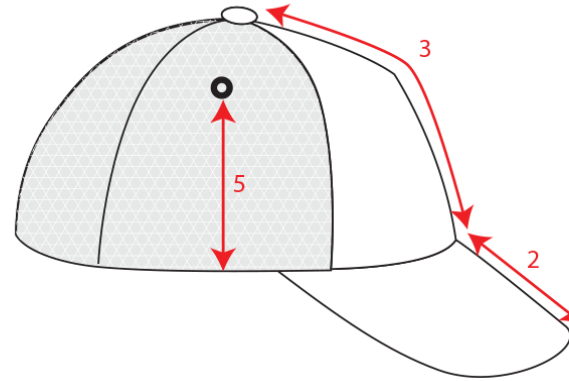
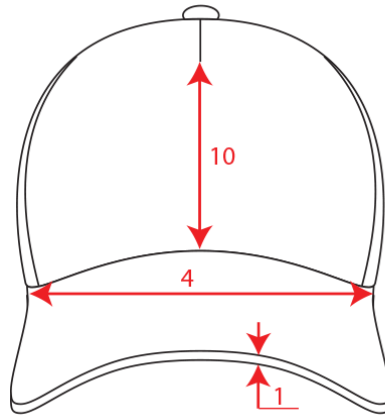
Where to customize

Centimeters

	Front	Back	Closure	Right	Left
Print	10 x 6	-	-	-	-
Embroidery	10 x 6	8 x 3,5	-	10 x 6	10 x 6
Heat transfer	10 x 6	-	-	-	-

Technical Size (cm)

- 1 0.25
- 2 7.0
- 3 17.5
- 4 20.5
- 6 33.0
- 7 7.0
- 8 2.0
- 9 6.0
- 10 9.0



Color variants (TPX / Pantone)

YELLOW-FLUO



BILL: / -
UNDERBILL: / -
FRONT PANEL: 11-0601 / WHITE
SIDE: / -
BUTTON: / -

RAPPER-NAVY



BILL: 19-3920 / 533-C
UNDERBILL: 19-3920 / 533-C
FRONT PANEL: 11-0601 / WHITE
SIDE: 19-3920 / 533-C
BUTTON: 19-3920 / 533-C

RAPPER-BLACK



BILL: 19-4005 / BLACK-C
UNDERBILL: 19-4005 / BLACK-C
FRONT PANEL: 11-0601 / WHITE
SIDE: 19-4005 / BLACK-C
BUTTON: 19-4005 / BLACK-C

RAPPER-BLACK-BLACK



BILL: 19-4005 / BLACK-C
UNDERBILL: 19-4005 / BLACK-C
FRONT PANEL: 19-4005 / BLACK-C
SIDE: 19-4005 / BLACK-C
BUTTON: 19-4005 / BLACK-C

RED



BILL: 19-1761 / 200-C
UNDERBILL: 19-1761 / 200-C
FRONT PANEL: 11-0601 / WHITE
SIDE: 19-1761 / 200-C
BUTTON: 19-1761 / 200-C

ROYAL



BILL: 19-4056 / 7686-C
UNDERBILL: 19-4056 / 7686-C
FRONT PANEL: 11-0601 / WHITE
SIDE: 19-4056 / 7686-C
BUTTON: 19-4056 / 7686-C

GREEN



BILL: 18-6024 / 349-C
UNDERBILL: 18-6024 / 349-C
FRONT PANEL: 11-0601 / WHITE
SIDE: 18-6024 / 349-C
BUTTON: 18-6024 / 349-C

ORANGE-BLACK



BILL: 19-4005 / BLACK-C
UNDERBILL: 19-4005 / BLACK-C
FRONT PANEL: 17-1464 / 173-C
SIDE: 19-4005 / BLACK-C
BUTTON: 19-4005 / BLACK-C

Color variants (TPX / Pantone)

WHITE-RED-ROYAL



BILL: 19-4056 / 7686-C
UNDERBILL: 19-4056 / 7686-C
FRONT PANEL: 11-0601 / WHITE
SIDE: 19-1761 / 200-C
BUTTON: 19-4056 / 7686-C

WHITE-BLACK-GREEN



BILL: 18-6024 / 349-C
UNDERBILL: 18-6024 / 349-C
FRONT PANEL: 11-0601 / WHITE
SIDE: 19-4005 / BLACK-C
BUTTON: 18-6024 / 349-C

DARK-GREY-RED



BILL: 19-1012 / 411-C
UNDERBILL: 19-1012 / 411-C
FRONT PANEL: 19-1012 / 411-C
SIDE: 19-1557 / 201-C
BUTTON: 19-1012 / 411-C

OLIVE-BLACK



BILL: 18-2406 / 7764-C
UNDERBILL: 18-2406 / 7764-C
FRONT PANEL: 18-2406 / 7764-C
SIDE: 19-4005 / BLACK-C
BUTTON: 18-2406 / 7764-C

YELLOW-BLACK



BILL: 19-4005 / BLACK-C
UNDERBILL: 19-4005 / BLACK-C
FRONT PANEL: 15-0955 / 1235-C
SIDE: 19-4005 / BLACK-C
BUTTON: 19-4005 / BLACK-C

WHITE-RED-BLACK



BILL: 19-4005 / BLACK-C
UNDERBILL: 19-4005 / BLACK-C
FRONT PANEL: 11-0601 / WHITE
SIDE: 19-1761 / 200-C
BUTTON: 19-4005 / BLACK-C

WHITE-OLIVE-ORANGE



BILL: 16-1357 / 164-C
UNDERBILL: 16-1357 / 164-C
FRONT PANEL: 11-0601 / WHITE
SIDE: 19-0822 / 7771-C
BUTTON: 16-1357 / 164-C

WHITE-BLACK-BURGUNDY



BILL: 19-2430 / 7643-C
UNDERBILL: 19-2430 / 7643-C
FRONT PANEL: 11-0601 / WHITE
SIDE: 19-4005 / BLACK-C
BUTTON: 19-2430 / 7643-C

ORANGE-FLUO



BILL: / -
UNDERBILL: / -
FRONT PANEL: 11-0601 / WHITE
SIDE: / -
BUTTON: / -

GREEN-FLUO



BILL: 13-0535 / 373-C
UNDERBILL: 13-0535 / 373-C
FRONT PANEL: 11-0601 / WHITE
SIDE: 13-0535 / 373-C
BUTTON: 13-0535 / 373-C

FUCHSIA-FLUO



BILL: 16-2124 / 211-C
UNDERBILL: 16-2124 / 211-C
FRONT PANEL: 11-0601 / WHITE
SIDE: 16-2124 / 211-C
BUTTON: 16-2124 / 211-C